

Main Application: Screen Printing

code: 1240003



## Features

The NOIR dryer is a high speed product designed for the rapid drying process of plastisol inks on fabrics.

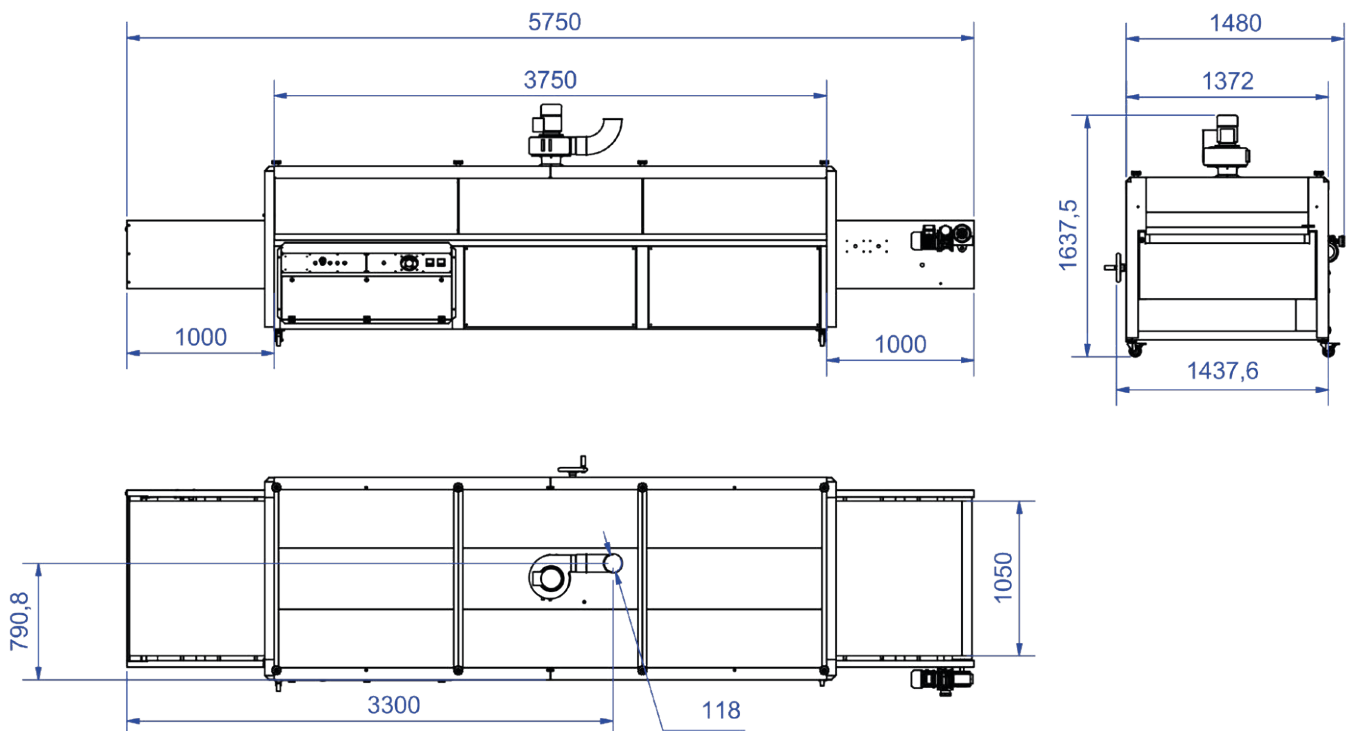
It has the following performance features:

- Precise electronic temperature regulator which acts directly on radiant panel temperature
- High quality drying thanks to its special radiant panels which guarantee no drying quality differences for light or dark colours
- Conveyor belt speed is regulated by a mechanical variable speed control with an extensive speed range
- Belt alignment with an air-operated centering device and tensioning system that automatically compensates any stretching
- Tunnel height can be adjusted to position the radiant panels at will and thus optimise drying performance
- Cladding panels are perfectly insulated by adopting special technical measures and excellent quality materials
- The outer surface always remains at ambient temperature, thereby reducing dispersion of heat
- Provided with extraction fan for expulsion of fumes from the process

TECHNICAL DATA	VALUES
Electrical Requirements	400V 3P + N + PE 32 A
Exhaust Specification	600 m <sup>3</sup> /h Ø 125/200 mm
Max Temperature (IR panels)	550°C
Power Consumption	21 kw
Belt Width	1050 mm
Heating Chamber Length	3750 mm
Production	680 pieces/h
Footprint Dimension	5750 x 1625 x H1640 mm
Shipping Weight	900 kg

*Main Application: Screen Printing*

code: 1240003



High speed dryer designed for rapid drying of plastisol inks for fabric.

Heat source consists of six radiant panels made of ceramic fibre which guarantees long life and perfect even distribution of heat throughout the surface irrespective of the product colour.

Provided with two extraction fans for expulsion of fumes from the process. Conveyor belt made of materials resistant to high temperature with self-centring system, thus guaranteeing long life and low maintenance costs.

Possibility of inserting a hot air system by means of filtrate extraction fans for drying water-based inks.

The dryer reaches the operating temperature in a few minutes.

Thanks to the insulation obtained by adopting special technical measures and excellent quality materials, the outer surface always remains at ambient temperature, thereby reducing dispersion of heat.

The technical features of the NOIR dryer, linked to the use of plastic inks, allow high hourly production with reduced dimensions in comparison with normal hot air dryers.